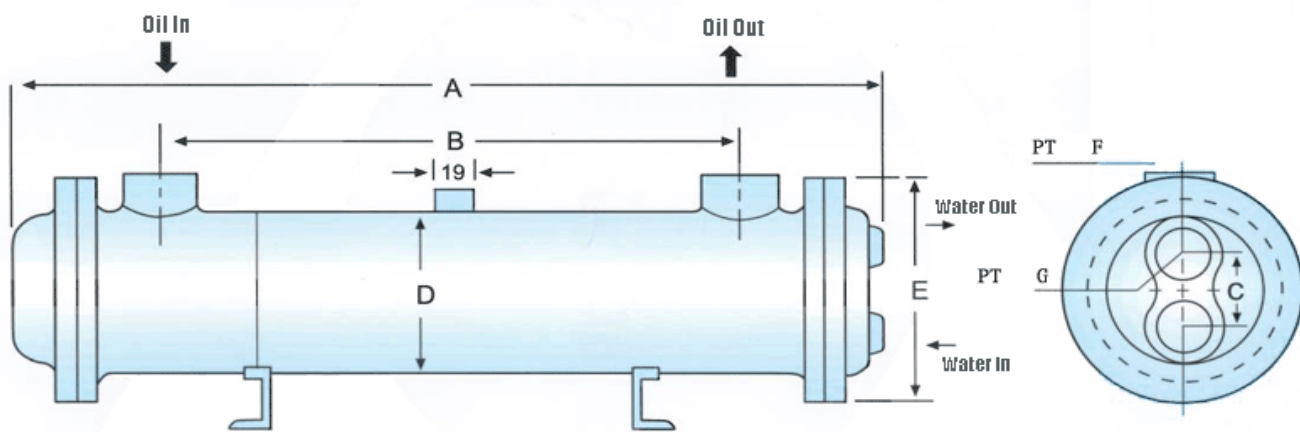


Oil Cooler



OR SERIES



Model	A	B	C	D	E	F	G	Radiating pipe	Cooling area(m2)	Capacity of tank	Weight (kg)	Flow of pump (L/min)	Water Flow (L/min)
OR-60	465	295	40	89.1	120	¾		22	0.24	60	8	100	50
OR-100	540	370	55	114.3	140			26	0.35	100	12	200	100
OR-150	580	375	65	139.8	170	1¼	¾	42	0.6	150	15	300	150
OR-250	800	600						1.2	250	22			
OR-350	1205	1000						1.9		350	30		
OR-600	1225	970	85	165.2	196	2	1½	58		600	40	400	200
OR-800	1725	1470							2.8	800	50		
OR-1000	2140	1890							3.5	1000	60		
OR-1200	2520	2270							4.2	1200	70		

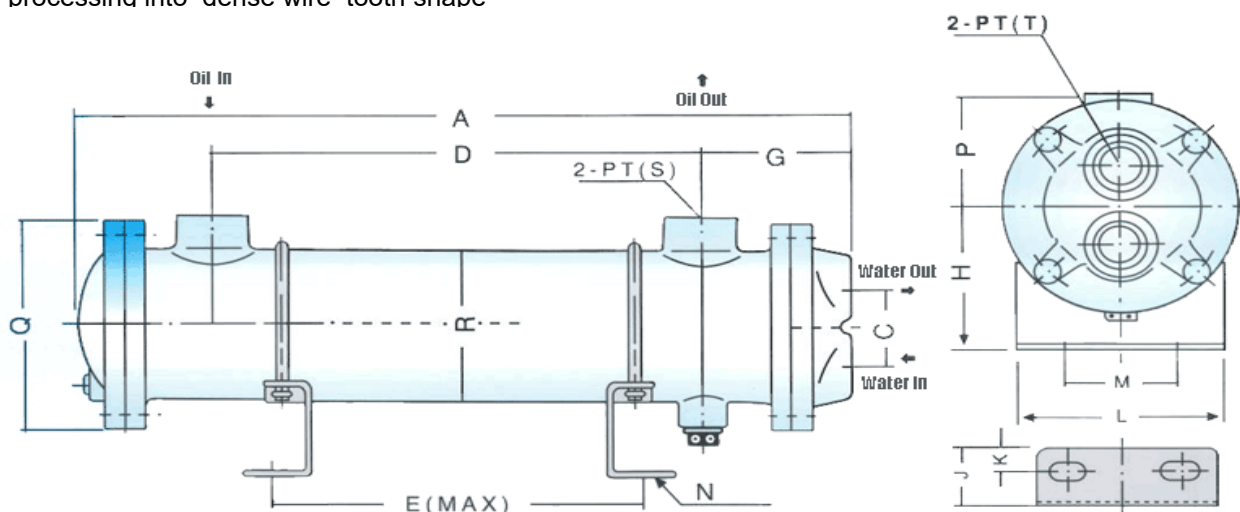
Oil Cooler



DT SERIES



DT is efficient type cooler. It is characterized by small volume, but the cooling effect is good. Copper pipe specification: diameter: 12mm, thickness: 1.2mm. The brass surface is to use special equipment for processing into dense wire tooth shape



Model	A	C	D	E	G	H	J	K	L	M	N	P	Q	R	S	T	Max Flow (L/min)	Cooling area(m ²)
DT-303	299	48	147	117	95	79	35	15	128	75	11×20	75	120	89	1	¼	100	0.3
DT-304	370		219	189														0.4
DT-305	468		291	261														0.5
DT-307	608		435	465														0.7
DT-309	758		578	548														0.9
DT-311	898		722	692														1.1
DT-411	620	70	425	384	100	88	35	15	150	105	11×20	93	140	114	¼	¼	200	1.1
DT-415	770		568	528														1.5
DT-418	910		712	672														1.8
DT-421	1055		856	816														2.1
DT-424	1220		1020	980														2.4
DT-522	785		558	528														2.2
DT-527	925	702	672	2.7														
DT-531	1070	85	846	816	115	95	45	20	175	122	14×22	108	170	139	½	¼	300	3.1
DT-535	1235		1010	980														3.5
DT-544	1455		1228	1196														4.4
DT-649	1078		836	756														4.9
DT-657	1242		1000	920														5.7
DT-668	1462		1218	1138														6.8
DT-682	1742	1500	1420	8.2														
DT-8107	1140	110	825	760	130	183	50	25	338	233	14×20	145	270	216	2	¼	600	10.7
DT-8125	1305		990	1025														12.5
DT-8149	1520		1210	1130														14.9
DT-8180	1805		1490	1420														18
DT-10169	1100		800	725														16.9