

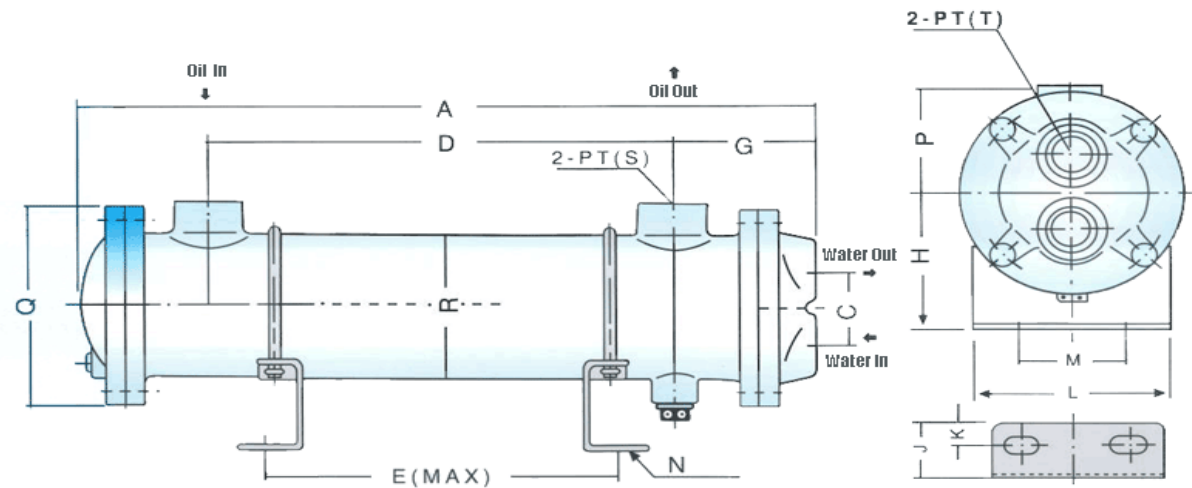
# OIL COOLER



## DT TYPE



DT is efficient type cooler. It is characterized by small volume, but the cooling effect is good. Copper pipe specification: diameter: 12mm, thickness: 1.2mm. The brass surface is to use special equipment for processing into dense wire tooth shape



Model	A	C	D	E	G	H	J	K	L	M	N	P	Q	R	S	T	Max Flow (L/min)	Cooling area(m2)												
DT-303	299	48	147	117	95	79	35	15	128	75	11×20	75	120	89	1	¾	100	0.3												
DT-304	370		219	189														0.4												
DT-305	468		291	261														0.5												
DT-307	608		435	465														0.7												
DT-309	758		578	548														0.9												
DT-311	898		722	692														1.1												
DT-411	620	70	425	384	100	88	35	15	150	105	11×20	93	140	114	1¼	¾	200	1.1												
DT-415	770		568	528														1.5												
DT-418	910		712	672														1.8												
DT-421	1055		856	816														2.1												
DT-424	1220		1020	980														2.4												
DT-522	785		558	528														2.2												
DT-527	925	702	672	2.7																										
DT-531	1070	846	816	115	95	45	20	175	122	14×22	108	170	139	1½	¾	300	3.1													
DT-535	1235	1010	980														3.5													
DT-544	1455	1228	1196														4.4													
DT-649	1078	836	756														125		105	45	20	204	149	14×22	121	196	165	2	1	400
DT-657	1242	1000	920															5.7												
DT-668	1462	1218	1138															6.8												
DT-682	1742	1500	1420	8.2																										
DT-8107	1140	825	760	130	183	50	25	338	233	14×20	145	270	216	2	1¼	600		10.7												
DT-8125	1305	990	1025															12.5												
DT-8149	1520	1210	1130														14.9													
DT-8180	1805	1490	1420														18													
DT-10169	1100	800	725														150	222	38	15	210	152	14	223	293	267	10KV 2½ flange	2	800	16.9
DT-10185	1210	910	835																											18.5
DT-10197	1300	980	905	19.7																										
DT-10235	1500	1200	1125	23.5																										
DT-10285	1775	1500	1425	28.5																										