



AERO-NCD

BRONZE SAFETY RELIEF VALVE

Sealing

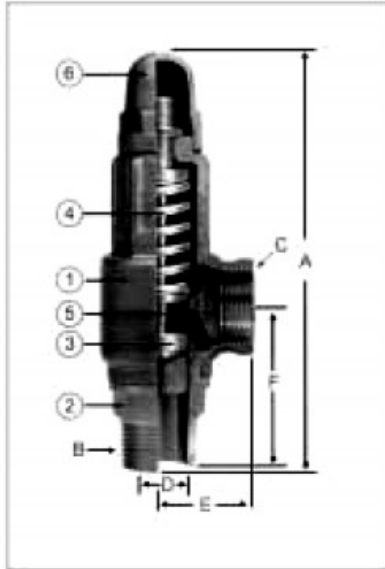
A3W (Inlet threading)

1/2" – 2"

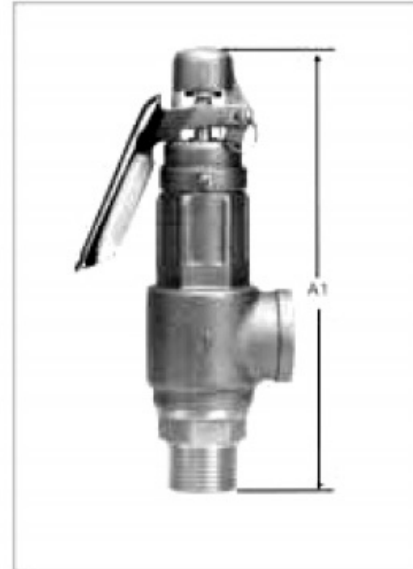
Lever

A3WL (Inlet threading)

1/2" – 2"



Temp : -45C – 185C		
Type	Size	Set Pressure
Without Level		
A3W-04	1/2"	1 - 40 Bar
A3W-06	3/4"	
A3W-10	1"	
A3W-12	1 1/4"	
A3W-15	1 1/2"	
A3W-20	2"	
With Level		
A3WL-04	1/2"	
A3WL-06	3/4"	
A3WL-10	1"	
A3WL-12	1 1/4"	
A3WL-15	1 1/2"	
A3WL-20	2"	



Dimensions

Sealing

Unit : mm

Lever

Unit : mm

Size	Item	A	Inlet	Outlet	Valve seat orifice	D	E	F	Lift	Wt. Kg	Size	Item	A1	Wt. Kg
1/2"		140	1/2"	1/2"	13	32	52	0.52	0.53		1/2"		162	0.6
3/4"		150	3/4"	3/4"	19	36	58	0.76	0.68		3/4"		172	0.76
1"		185	1"	1"	25	40	71	1.00	1.10		1"		204	1.25
1-1/4"		208	1-1/4"	1-1/4"	32	52	83	1.28	1.87		1-1/4"		223	1.86
1-1/2"		236	1-1/2"	1-1/2"	38	58	96	1.52	2.28		1-1/2"		252	2.31
2"		265	2"	2"	50	65	103	2.00	3.91		2"		287	4.13

General Material

NO	Type	A3W	A3WL
	Parts Name	Sealing	Lever
1	Valve body	Cast bronze	Cast bronze
2	Valve seat	Forging brass	Forging brass
3	Disc	Forging brass	Forging brass
4	Spring	Steel	Steel
5	Stem	Brass	Brass
6	Cap	Forging brass	Cast bronze
Working pressure		1 - 40 Bar	
Working temp.		-45°C ~ 185°C	
Working fluid		Noncorrosive Gas · Noncorrosive Liquid · Steam	